



JSC "VACUUMASH" 80 years



VDP Jet Series Oil Diffusion Pumps with Ejector stage



Diffusion vacuum pumps of the VDP Jet series are high-vacuum pumps with a speed of action from 2800 l/s to 28000 l/s and ultimate pressure up to 5×10^{-7} Torr. Thanks to the additional ejector stage, the VDP Jet pump starts working from a pressure of 10^{-2} Torr and is capable of pumping large gas flows up to $37 \text{ l}^* \text{ torr/s}$ in the case of using silicone vacuum oil.

Scope of application

VDP Jet-320
VDP Jet-500
VDP Jet-630
VDP Jet-800
VDP Jet-1000

	VDP Jet-320	VDP Jet-500	VDP Jet-630	VDP Jet-800	VDP Jet-1000
Food industry					
Sugar production					
Woodworking					
Pulp and paper production					
Petrochemical industry					
Chemical industry	■	■	■	■	■
Manufacture of rubber products					
Crystal production	■	■	■	■	■
Metallurgy	■	■	■	■	■
Mechanical engineering	■	■	■	■	■
Production of electrical equipment	■	■	■	■	■
Electricity generation					
Construction					
Research activities	■	■	■	■	■
Medicine					
Agricultural industry					
Mining	■	■	■	■	■
Waste treatment					



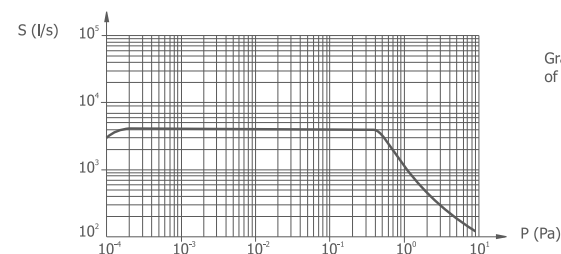
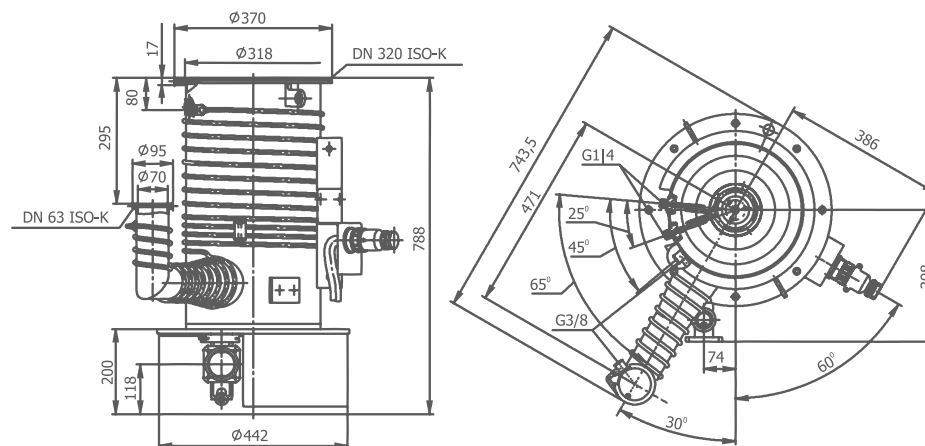
Oil Diffusion Pumps with Ejector stage



VDP Jet-320 Oil Diffusion Pump with Ejector stage

Type: Oil
Pressure range: high vacuum
Speed of action: 3000 l/s

- ◆ High vacuum connection DN 320 ISO-K
- ◆ Forevacuum connection DN 63 ISO-K
- ◆ The case is made of carbon steel
- ◆ Water cooling
- ◆ Works only with the pre-vacuum pump
- ◆ The speed of action of the forevacuum pump is not less than $324 \text{ m}^3/\text{h}$
- ◆ Type of electrical connection directly through the connector or a block of electric switches
- ◆ Supply voltage 380V
- ◆ Power 2,4 kW
- ◆ Pump fluid filling, min / max, 1.0/1.4 l



Graph of the dependence of the speed of action from the pressure at the pump inlet

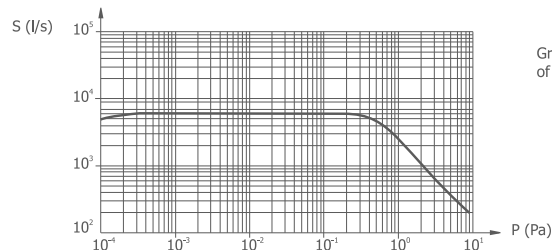
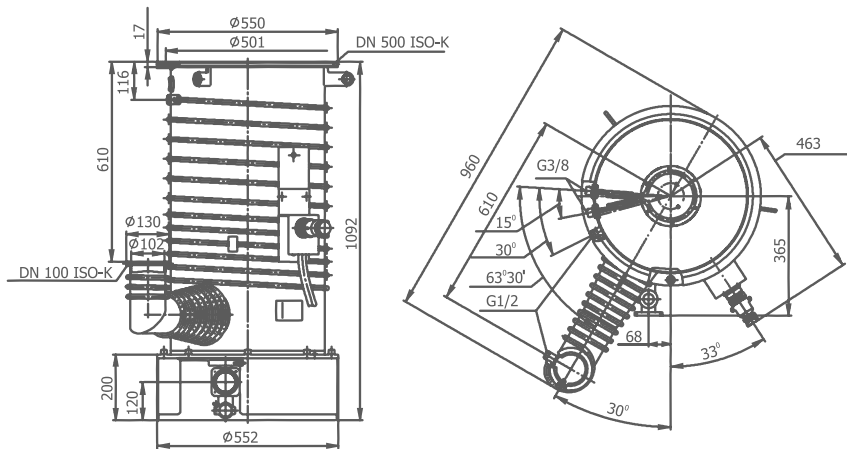
Oil Diffusion Pumps with Ejector stage



VDP Jet-500 Oil Diffusion Pump with Ejector stage

Type: Oil
Pressure range: high vacuum
Speed of action: 6000 l/s

- ◆ High vacuum connection DN 500 ISO-K
- ◆ Forevacuum connection DN 100 ISO-K
- ◆ The body is made of carbon steel
- ◆ Water cooling
- ◆ Works only with the pre-vacuum pump
- ◆ The speed of action of the forevacuum pump is not less than 396 m³/h
- ◆ Type of electrical connection directly through the connector or a block of electric switches
- ◆ Supply voltage 380V
- ◆ Power 7.2kW
- ◆ Pump fluid filling, min / max, 1.7/3.4 l



Graph of the dependence of the speed of action from the pressure at the pump inlet

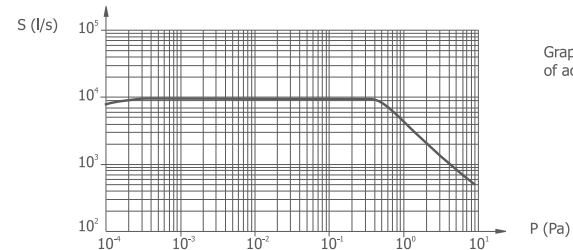
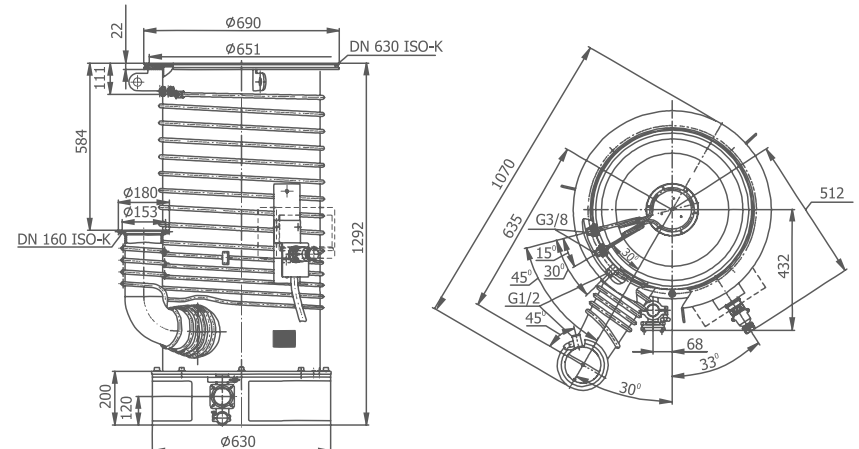
Oil Diffusion Pumps with Ejector stage



VDP Jet-630 Oil Diffusion Pump with Ejector stage

Type: Oil
Pressure range: high vacuum
Speed of action: 9200 l/s

- ◆ High vacuum connection DN 630 ISO-K
- ◆ Forevacuum connection DN 160 ISO-K
- ◆ The body is made of carbon steel
- ◆ Water cooling
- ◆ Works only with the pre-vacuum pump
- ◆ The speed of action of the forevacuum pump is not less than 540 m³/h
- ◆ Type of electrical connection directly through the connector or a block of electric switches
- ◆ Supply voltage 380V
- ◆ Power 10.8kW
- ◆ Pump fluid filling, min / max, 5.0/7.0 l



Graph of the dependence of the speed of action from the pressure at the pump inlet

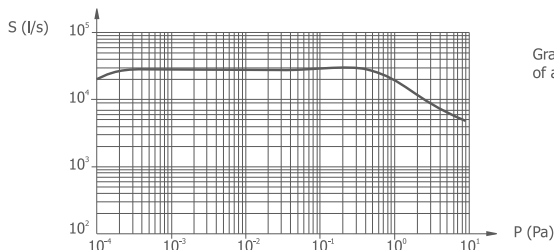
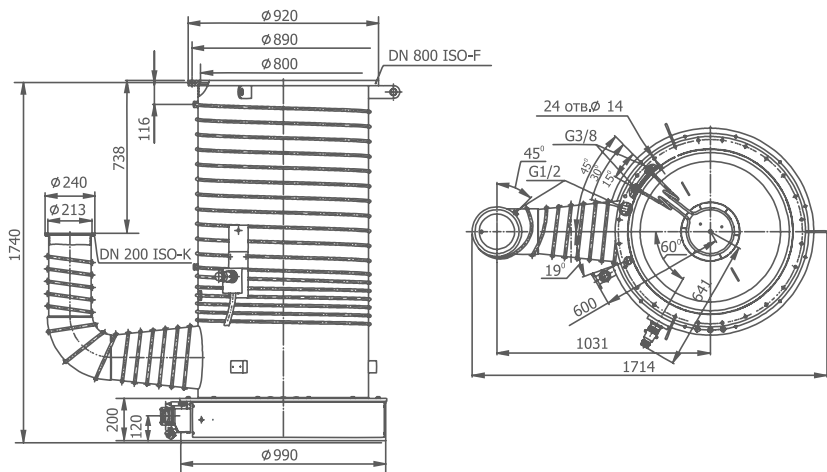
Oil Diffusion Pumps with Ejector stage



VDP Jet-800 Oil Diffusion Pump with Ejector stage

Type: Oil
Pressure range: high vacuum
Speed of action: 20000 l/s

- ◆ High vacuum connection DN 800 ISO-F
- ◆ Forevacuum connection DN 200 ISO-K
- ◆ The body is made of carbon steel
- ◆ Water cooling
- ◆ Works only with the pre-vacuum pump
- ◆ The speed of action of the forevacuum pump is not less than 1332 m³/h
- ◆ Type of electrical connection directly through the connector or a block of electric switches
- ◆ Supply voltage 380V
- ◆ Power 18 kW
- ◆ Pump fluid filling, min / max, 10.0/15.0 l



Graph of the dependence of the speed of action from the pressure at the pump inlet

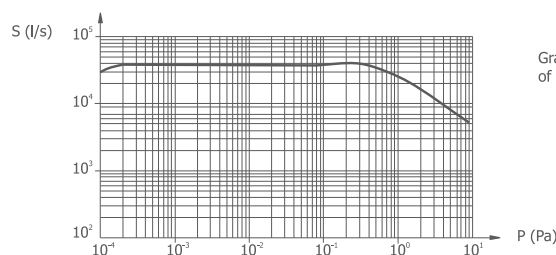
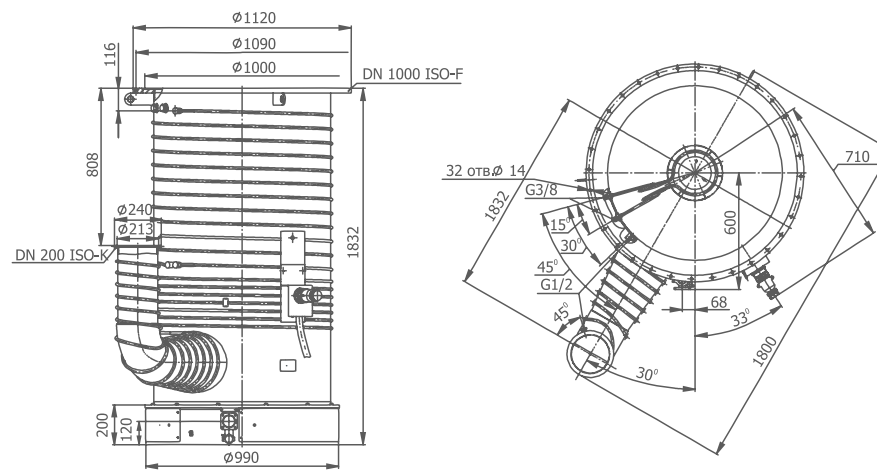
Oil Diffusion Pumps with Ejector stage



VDP Jet-1000 Oil Diffusion Pump with Ejector stage

Type: Oil
Pressure range: high vacuum
Speed of action: 28000 l/s

- ◆ High vacuum connection DN 1000 ISO-F
- ◆ Forevacuum connection DN 200 ISO-K
- ◆ The body is made of carbon steel
- ◆ Water cooling
- ◆ Works only with the pre-vacuum pump
- ◆ The speed of action of the forevacuum pump is not less than 1332 m³/h
- ◆ Type of electrical connection directly through the connector or a block of electric switches
- ◆ Supply voltage 380V
- ◆ Power 21.6kW
- ◆ Pump fluid filling, min / max, 12.0/18.0 l



Graph of the dependence of the speed of action from the pressure at the pump inlet

